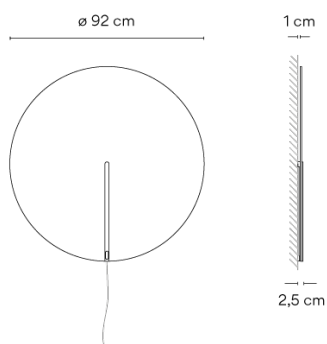


2262

Design By Diez Office

Vibia presents a wall lamp that integrates the LED light with the glass and making it pass through in such a way that it becomes invisible and then allowing it to appear out of nowhere.

Model Sheet



Finish  18 Graphite
ADAPTA RF 9913 WX

LED temperature color 3000 K

Dimming SENSOR

Installation type Surface Canopy

Materials Profile: Aluminum
Diffuser: Borosilicate glass

Light source 1 x LED STRIP 24V 17,2W
G

LED CRI>90 1504.8 lm 87.12
3000 K

Driver CV - Constant Voltage [object
Object] 100~240 V 50/60 HZ

Remarks The glass is made of borosilicate. It is typical for the glass to have small air bubbles, some inclusions and tiny scratches. These do not affect the quality or the resistance of the glass.

Dimmer **LED**

IP20 **Bi-volt** **Dry Location** **50-60Hz**

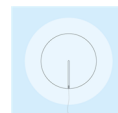
Application Wall Lamps

Packaging 1 Box
1.12 m x 1.12 m x 0.345 m
Gross weight 24.8
Net weight 11.5
Vol. 0.4327

Lighting effect

General Lighting

Lamp for general lighting that equally distributes the light in all directions.



Photometric Data

Efficiency 1
Coordinate System CG
Total Flux 897.91 lm
Maximum Value 188.65 cd/klm

Other Applications



All of our products come with a five-year warranty.
Check our legal terms at www.vibia.com/warranty